

# new atlas

## Refrigerated counters – Depth 600

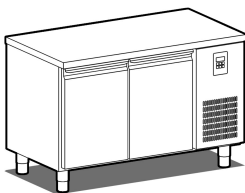


The new range of “NEW ATLAS” freezer and refrigerated tables, available with a depth of 600 mm, is designed and manufactured to the highest quality standards. The tables are provided with electrical defrosting system by heating elements and with a device for automatic elimination of condensate water. They are also available with built-in condensing unit or prearranged for a remote condensing unit with a valve system, in a normal and low temperature solution.

Equipped with 2, 3 or 4 doors, with the possibility of installing drawer units with 2 drawers. Accessories provided: 1 rack per door.

Prearranged to be installed on plinth.

Counters available with 10/10 thickness stainless steel normal worktops or with rear riser.



### TECHNICAL DATA:

#### TG6D/130

Body	mm	660		
External dimensions without worktop TG6D/...S (WxDxH)	mm	1290x590x810		
External dimensions with normal worktop TG6D/...			1300x600x850	
External dimensions with worktop with rear riser TG6D/...A				1300x600x950
Capacity	lt	217		
Technical compartment position		right		
Doors	nr	2		
Evaporators	nr	1		
Equipment (GN 1/1 shelves)	nr	2 cm 32,5x43		
Control panel		digital control by back panel		
Cooling system		ventilated		
Temperature	°C	-2/+8		
Defrosting system		automatic by heating elements		
Condensate water elimination		automatic		
Max absorbed power *	W	240		
Cooling power *	W	370		
Gas		R290		
Input voltage		1x230V/50Hz		
Climatic class		5		

\*Evap. -10°C cond. +45°C



Internal detail



Back panel control board

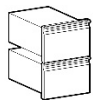


Drawer detail



Detail of s/s worktop edge

## ACCESSORIES AND SURCHARGES ON REQUEST:



**CR6/2** Refrigerated drawer unit with 2 1/2 drawers (surcharge)



Glass door for refrigerated counter 600/700 depth with led light included (surcharge)



Pair of runners for shelf



32,5x43 cm shelf



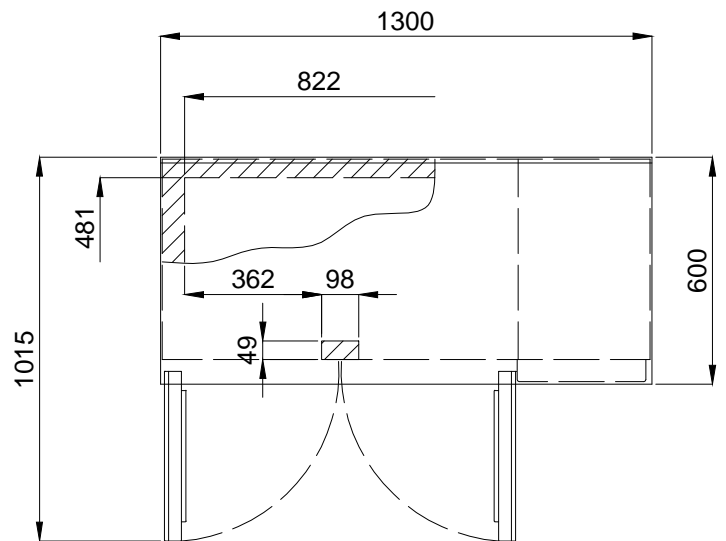
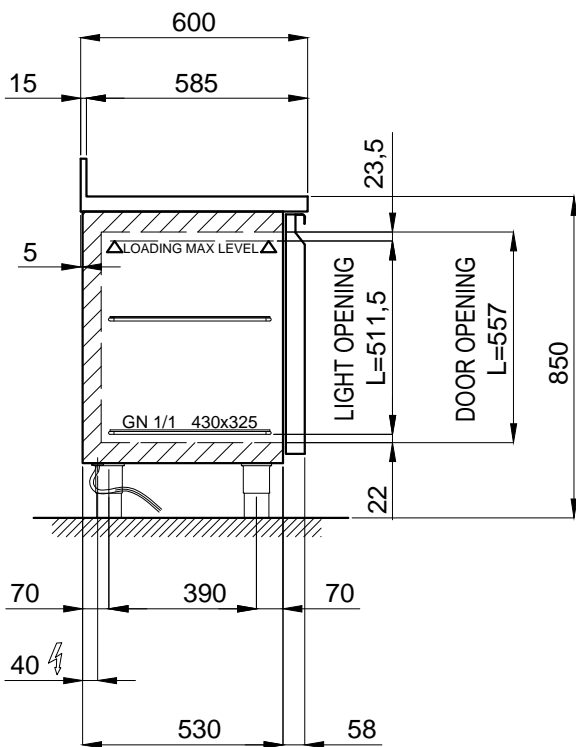
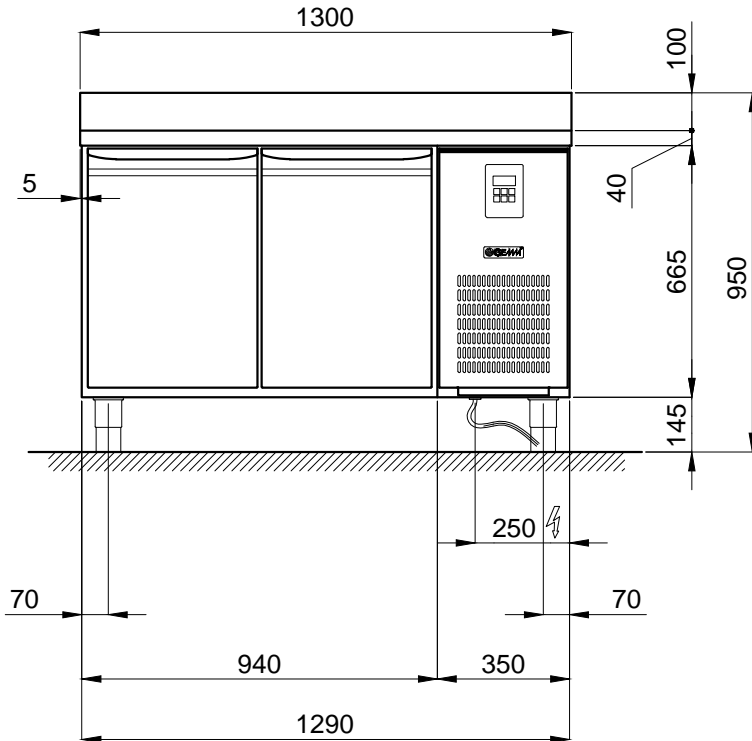
Set of Ø 125 castors



Wi-Fi supervising system (surcharge)

60Hz Voltage

INSTALLATION DIAGRAM:



ELECTRICITY SUPPLY: 230V ~ 1 – 50Hz - Wire length 2 mt (\*SCHUKO

plug) GROSS CAPACITY: 217lt - NET CAPACITY: 132lt